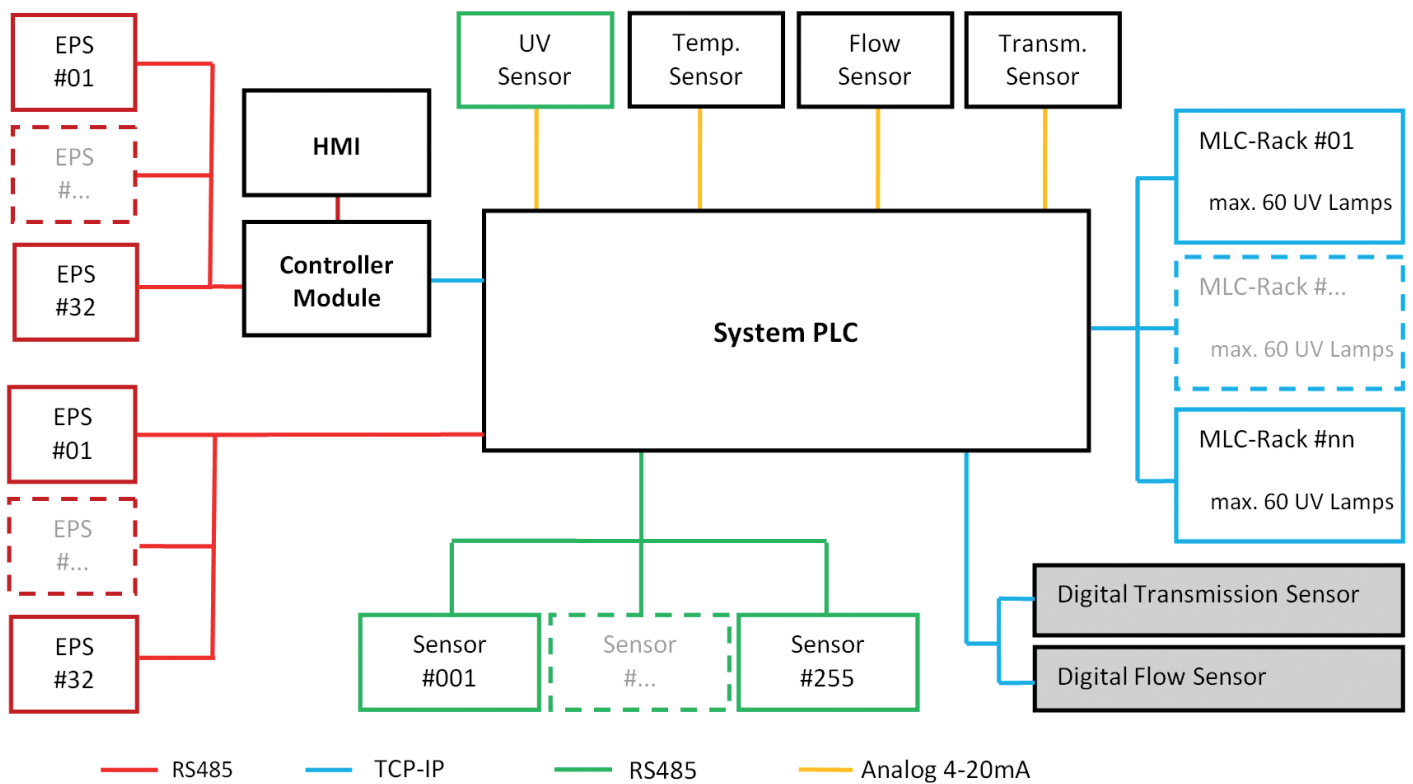


Digital Water Plant



Digital Water Plant

Digital UV-components

System-Features

- Digital UV-sensors
- Digital electronic ballasts
- Connectivity of analog components

Advantages

- ModBUS communication via superior PLC
- Extensive analysis options
- Minimal cabling effort

Digital Water Plant

Electronic ballasts

The **electronic ballasts** from the EPS-series are equipped with an **RS485 Interface** to control all working conditions and analyze extensive information. This provides an optimized system with our UVC-Amalgam lamps. Up to 32 electronic ballasts can be operated and monitored via the integral digital interface. By using "twin-flamed" ballasts, up to 64 lamps are controllable within one communication line.



For larger installations our revolutionary system concept is perfectly matched. The modular **MLC-Rack** combines an extremely compact design with efficient control **via a TCP/IP Interface**. This unit operates **up to 60 UV-lamps**. An optional interface allows the adjustment of a variety of lamps in a range between **200W and 1000W**.



Sensors

Newly developed **digital sensors** allow signal analysis via an RS485 interface. In one UV-system up to 255 digital sensors can be connected. Next to the UV value the sensor temperature is now also measured. This feature means the UV-system can react immediately when ambient conditions change.

All sensors meet the **DVGW and ÖNROM requirements** and therefore can easily retrofit into any system.



Communication

For the installation of digital electronic ballasts and sensors, controller modules are available including a programming module. The adjustment of each component parameter is relatively simple and very intuitive. Moreover, the controller modules allow the connection of analog sensors and additional peripheral devices. This means lower installation and maintenance costs along with cost effective testing and servicing procedures.

hönle group

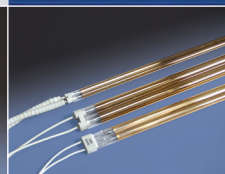
Disinfection

Drying

Curing

Control

Measuring



aladin

eleco-efd

eltosch grafix

hönle

panacol

printconcept

raesch

tangent

uv-technik speziallampen



UV-Technik Speziallampen GmbH, Gewerbegebiet Ost 6, 98704 Wolfsberg / OT Wümbach, Germany
Phone : +49 36 785 520-0, Fax: +49 36 785 520-21. www.uvtechnik.com

Operating parameters depend on production characteristics and may differ from the foregoing information.
We reserve the right to modify technical data. © Copyright UV-Technik Speziallampen GmbH. Updated 05/16.